

THIS FITNESS AREA & EQUIPMENT IS
 DESIGNED FOR AGES 13+ YEARS

THIS CONCEPTUAL PLAN WAS BASED ON
 INFORMATION AVAILABLE TO US. PRIOR TO
 CONSTRUCTION, DETAILED SITE INFORMATION
 INCLUDING SITE DIMENSIONS, TOPOGRAPHY
 EXISTING UTILITIES, SOIL CONDITIONS, AND
 DRAINAGE SOLUTIONS SHOULD BE OBTAINED,
 EVALUATED, & UTILIZED IN THE FINAL DESIGN.
 PLEASE VERIFY ALL DIMENSIONS OF PLAY
 AREA, SIZE, ORIENTATION, AND LOCATION OF
 ALL EXISTING UTILITIES, EQUIPMENT, AND
 SITE FURNISHINGS PRIOR TO ORDERING.

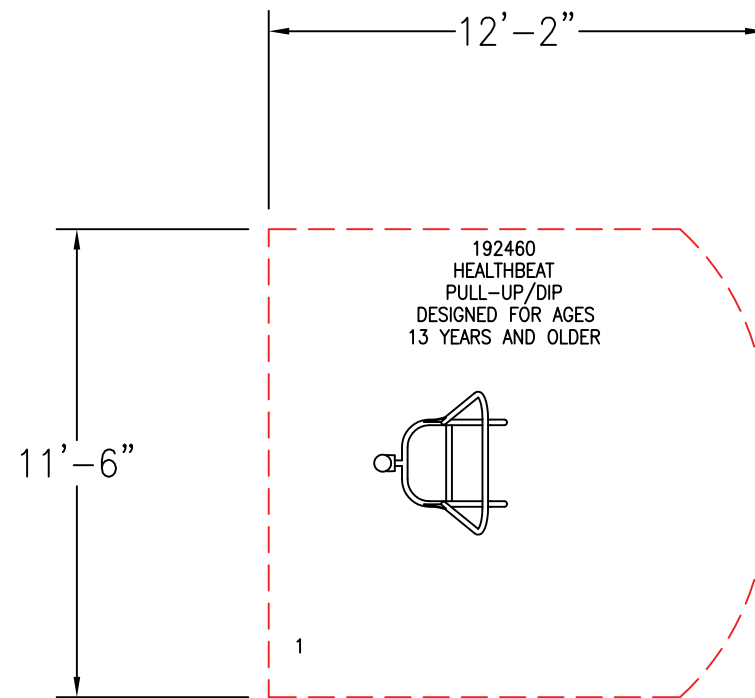
THE EQUIPMENT SHOWN IS TO BE
 CONSIDERED FITNESS EQUIPMENT ONLY.
 APPROPRIATE SIGNAGE INDICATING THIS
 IS STRONGLY RECOMMENDED.
 IT IS ALSO RECOMMENDED THAT FITNESS
 EQUIPMENT BE LOCATED AWAY FROM PLAY
 EQUIPMENT TO DISCOURAGE PLAY.

DRAWING NOTES:

DESIGNED BY:

COPYRIGHT: 1/6/15
 LANDSCAPE STRUCTURES, INC.
 601 7th STREET SOUTH - P.O. BOX 198
 DELANO, MINNESOTA 55328
 PH: 1-800-328-0035 FAX: 1-763-972-8091

No.	Revision/Issue	Date



Freestanding Play
 (13+ years)

SCALE: IN FEET



HealthBeat
 Pull-Up/Dip
 Delano, MN

Landscape Structures

Free Standing

81012-13-1

