

THIS FITNESS AREA & EQUIPMENT IS  
 DESIGNED FOR AGES 13+ YEARS

THIS CONCEPTUAL PLAN WAS BASED ON  
 INFORMATION AVAILABLE TO US. PRIOR TO  
 CONSTRUCTION, DETAILED SITE INFORMATION  
 INCLUDING SITE DIMENSIONS, TOPOGRAPHY  
 EXISTING UTILITIES, SOIL CONDITIONS, AND  
 DRAINAGE SOLUTIONS SHOULD BE OBTAINED,  
 EVALUATED, & UTILIZED IN THE FINAL DESIGN.  
 PLEASE VERIFY ALL DIMENSIONS OF PLAY  
 AREA, SIZE, ORIENTATION, AND LOCATION OF  
 ALL EXISTING UTILITIES, EQUIPMENT, AND  
 SITE FURNISHINGS PRIOR TO ORDERING.

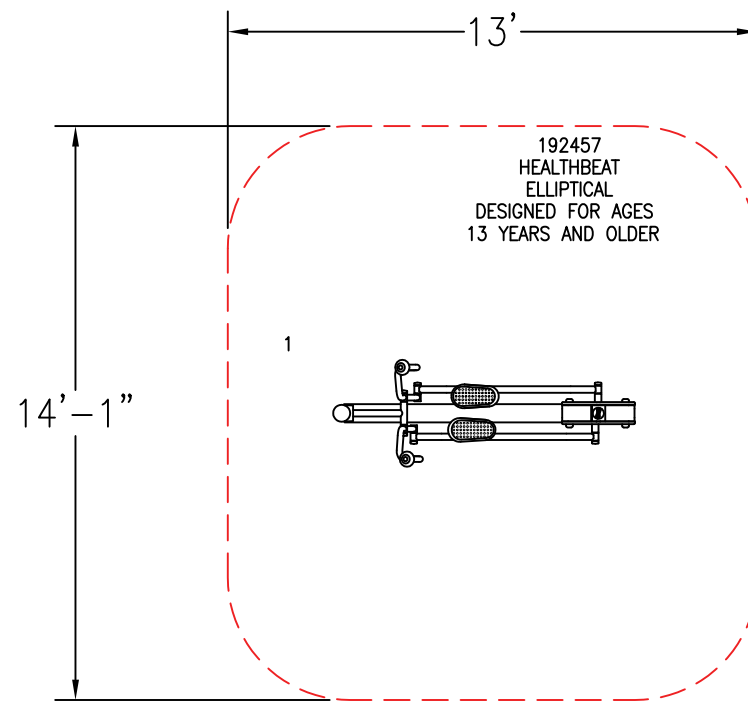
THE EQUIPMENT SHOWN IS TO BE  
 CONSIDERED FITNESS EQUIPMENT ONLY.  
 APPROPRIATE SIGNAGE INDICATING THIS  
 IS STRONGLY RECOMMENDED.  
 IT IS ALSO RECOMMENDED THAT FITNESS  
 EQUIPMENT BE LOCATED AWAY FROM PLAY  
 EQUIPMENT TO DISCOURAGE PLAY.

DRAWING NOTES:

DESIGNED BY:

COPYRIGHT: 1/6/15  
 LANDSCAPE STRUCTURES, INC.  
 601 7th STREET SOUTH - P.O. BOX 198  
 DELANO, MINNESOTA 55328  
 PH: 1-800-328-0035 FAX: 1-763-972-8091

No.	Revision/Issue	Date



Freestanding Play  
 (13+ years)

SCALE: IN FEET



HealthBeat  
 Elliptical  
 Delano, MN

Landscape Structures

Free Standing

81012-10-1

