



THIS FITNESS AREA & EQUIPMENT IS
DESIGNED FOR AGES 13+ YEARS

THE EQUIPMENT SHOWN IS TO BE
CONSIDERED FITNESS EQUIPMENT ONLY.
APPROPRIATE SIGNAGE INDICATING THIS IS
STRONGLY RECOMMENDED. OUTDOOR FITNESS
EQUIPMENT SHALL NOT BE PLACED WITHIN
DEFINED CHILDREN'S PLAYGROUND AREAS AND
SHALL BE SEPARATED FROM THE USE ZONES
FOR PLAYGROUND EQUIPMENT BY FENCING,
MOUNDS, PATHWAYS, LANDSCAPING OR OTHER
BARRIERS

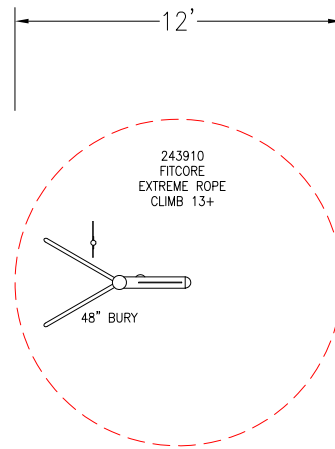
CHOOSE A PROTECTIVE SURFACING MATERIAL THAT
HAS A CRITICAL HEIGHT VALUE TO MEET THE
MAXIMUM FALL HEIGHT FOR THE EQUIPMENT (REF.
ASTM F3010 STANDARD CONSUMER SAFETY
PERFORMANCE SPECIFICATION FOR OUTDOOR FITNESS
EQUIPMENT FOR PUBLIC USE, SECTION 7.16 CURRENT
REVISION). THE SUBSURFACE MUST BE WELL
DRAINED. IF THE SOIL DOES NOT DRAIN NATURALLY
IT MUST BE TILED OR SLOPED 1/4" TO 1/4" PER
FOOT TO A STORM SEWER OR A "FRENCH DRAIN".

THIS CONCEPTUAL PLAN WAS BASED ON
INFORMATION AVAILABLE TO US. PRIOR TO
CONSTRUCTION, DETAILED SITE INFORMATION
INCLUDING SITE DIMENSIONS, TOPOGRAPHY,
EXISTING UTILITIES, SOIL CONDITIONS, AND
DRAINAGE SOLUTIONS SHOULD BE OBTAINED,
EVALUATED, & UTILIZED IN THE FINAL DESIGN.
PLEASE VERIFY ALL DIMENSIONS OF PLAY
AREA, SIZE, ORIENTATION, AND LOCATION OF
ALL EXISTING UTILITIES, EQUIPMENT, AND
SITE FURNISHINGS PRIOR TO ORDERING.

DESIGNED BY:

COPYRIGHT: 5/23/18
LANDSCAPE STRUCTURES, INC.
601 7th STREET SOUTH - P.O. BOX 198
DELANO, MINNESOTA 55328
PH: 1-800-328-0035 FAX: 1-763-972-6291

No.	Revision/Issue	Date

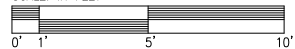


Freestanding Play
(13+ years)

Max Fall Height: 132 inches

TOTAL SQUARE FOOTAGE
114 SQ FT

SCALE: IN FEET



FitCore Extreme
Rope Climb (13+)

Landscape
Structures

FreeStanding

243910

