



THIS FITNESS AREA & EQUIPMENT IS  
DESIGNED FOR AGES 13+ YEARS

THE EQUIPMENT SHOWN IS TO BE  
CONSIDERED FITNESS EQUIPMENT ONLY.  
APPROPRIATE SIGNAGE INDICATING THIS IS  
STRONGLY RECOMMENDED. OUTDOOR FITNESS  
EQUIPMENT SHALL NOT BE PLACED WITHIN  
DEFINED CHILDREN'S PLAYGROUND AREAS AND  
SHALL BE SEPARATED FROM THE USE ZONES  
FOR PLAYGROUND EQUIPMENT BY FENCING,  
MOUNDS, PATHWAYS, LANDSCAPING OR OTHER  
BARRIERS

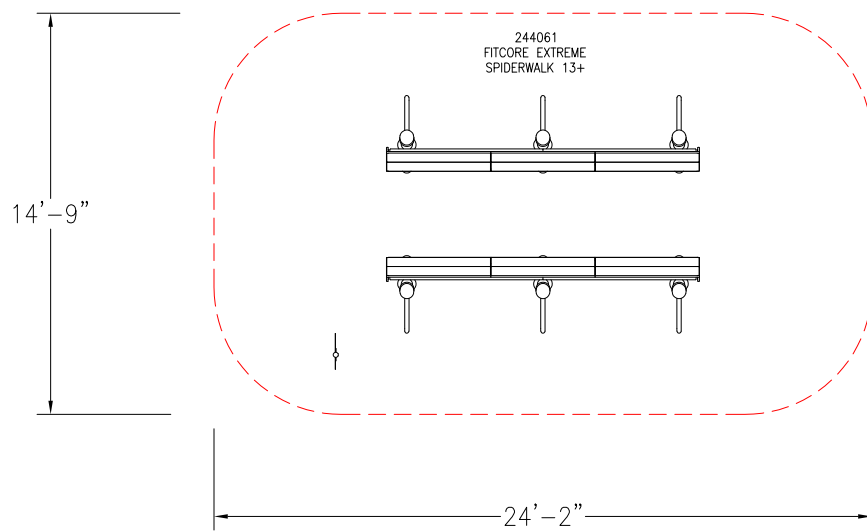
CHOOSE A PROTECTIVE SURFACING MATERIAL THAT  
HAS A CRITICAL HEIGHT VALUE TO MEET THE  
MAXIMUM FALL HEIGHT FOR THE EQUIPMENT (REF.  
ASTM F3011 STANDARD CONSUMER SAFETY  
PERFORMANCE SPECIFICATION FOR OUTDOOR FITNESS  
EQUIPMENT FOR PUBLIC USE, SECTION 7.16 CURRENT  
REVISION). THE SUBSURFACE MUST BE WELL  
DRAINED. IF THE SOIL DOES NOT DRAIN NATURALLY  
IT MUST BE TILED OR SLOPED 1/8" TO 1/4" PER  
FOOT TO A STORM SEWER OR A "FRENCH DRAIN".

THIS CONCEPTUAL PLAN WAS BASED ON  
INFORMATION AVAILABLE TO US. PRIOR TO  
CONSTRUCTION, DETAILED SITE INFORMATION  
INCLUDING SITE DIMENSIONS, TOPOGRAPHY,  
EXISTING UTILITIES, SOIL CONDITIONS, AND  
DRAINAGE SOLUTIONS SHOULD BE OBTAINED,  
EVALUATED, & UTILIZED IN THE FINAL DESIGN.  
PLEASE VERIFY ALL DIMENSIONS OF PLAY  
AREA, SIZE, ORIENTATION, AND LOCATION OF  
ALL EXISTING UTILITIES, EQUIPMENT, AND  
SITE FURNISHINGS PRIOR TO ORDERING.

DESIGNED BY:

COPYRIGHT: 5/23/18  
LANDSCAPE STRUCTURES, INC.  
601 7th STREET SOUTH - P.O. BOX 198  
DELAND, MINNESOTA 55328  
PH: 1-800-328-0035 FAX: 1-763-972-6091

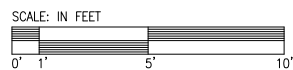
No.	Revision/Issue	Date



Freestanding Play  
(13+ years)

Max Fall Height: 96 inches

TOTAL SQUARE FOOTAGE  
338 SQ FT



FitCore Extreme  
Spiderwalk (13+)

Landscape  
Structures

FreeStanding

244061

