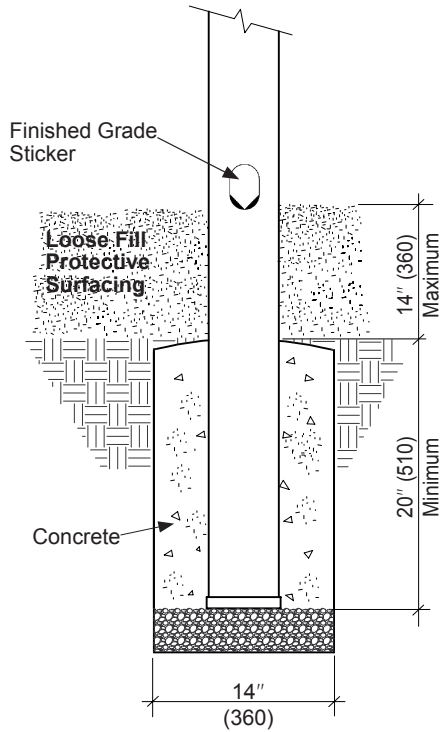
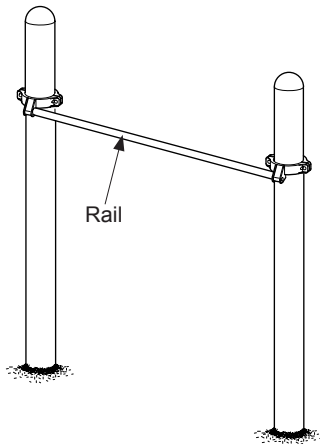


- Improper depth of safety surfacing.
- Inadequate volume of concrete on footings.



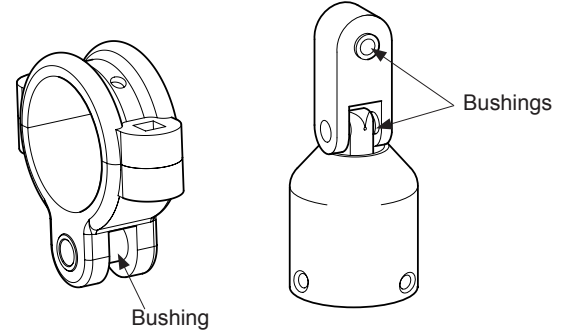
1. Surfacing shall be maintained to finished grade sticker label.
2. If post is not stable, inspect concrete footing for footer depth.

- Single rails that spin or rotate such as Chinning/Turning Bars.



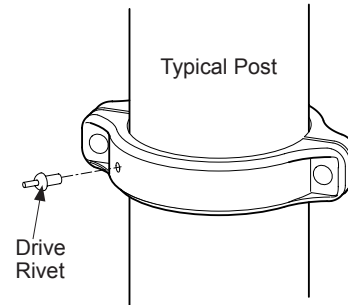
1. Rails that spin or rotate shall be tightened to a minimum 50 ft./lbs. of torque.

- Worn bushings on swing hangers.



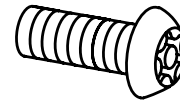
1. Replace bushings if 50% worn, cracked or broken.
2. Replace remaining parts if worn, deformed or broken.

- Drive rivets missing from clamps



1. All load bearing clamps shall have drive rivets installed.

- Fasteners not properly torqued.



Inches	Recommended Sizes mm	Mat'l or Grade	Minimum	
			Torque Ft./lbs	Kgm
5/16"	(7,9)	SST-PAT	10	1.4
3/8"	(9,5)	SST-PAT	15	2
1/2"	(12,7)	SST-PAT	20	2.8
5/8"	(15,9)	SST-PAT	50	7

1. All bolts shall be tightened to the minimum torque values as indicated on chart.